

Los Angeles County Metropolitan Transportation Authority



# Gold Line I-210 Barrier Replacement Project

*March 28, 2019 Board Presentation*



# Gold Line I-210 Barrier Replacement - Project Limits

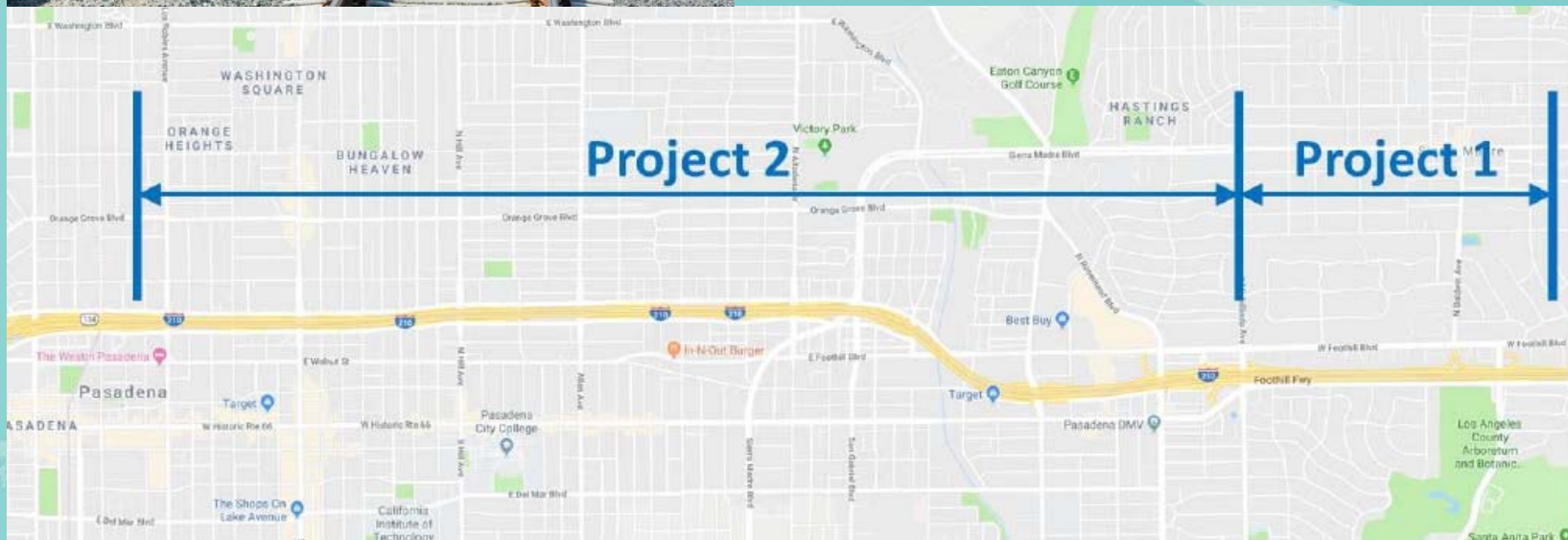


## Split into 2 Projects for Expediency

Total Project: Marengo Tunnel to Iconic Bridge

Project 1: Michillinda Avenue to Iconic Bridge

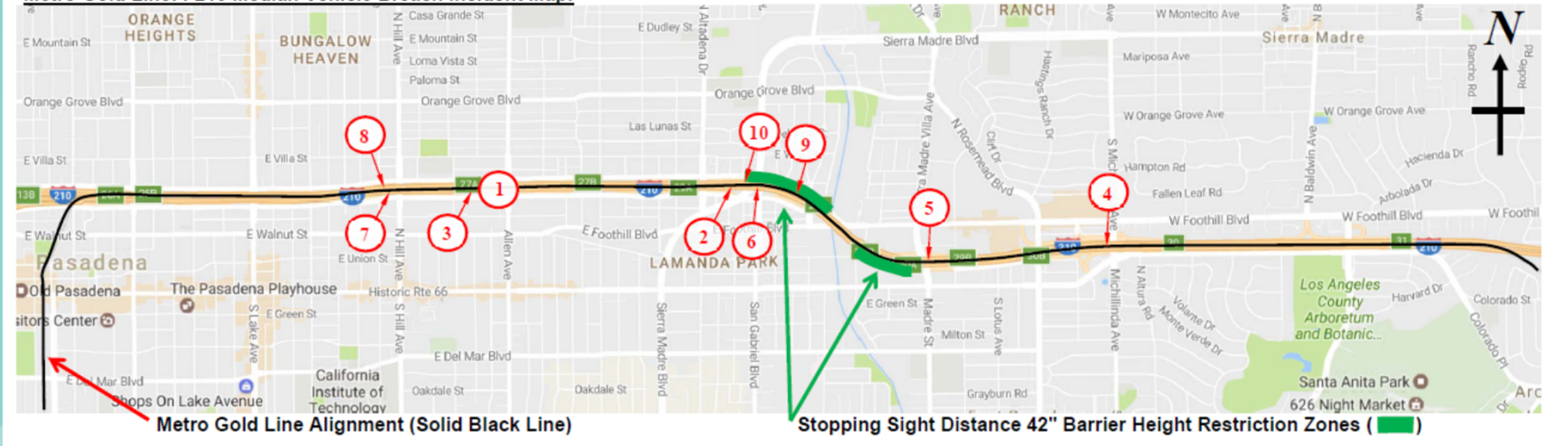
Project 2: Marengo Tunnel to Michillinda Ave.



# Gold Line I-210 Barrier Replacement - A Safety Project



**Metro Gold Line: I-210 Median Vehicle Breach Incident Map:**

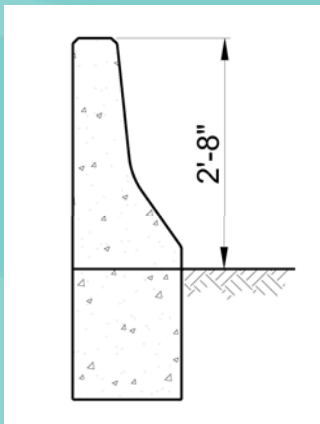


**Gold Line I-210 barriers are being replaced to prevent this from occurring in the future.**

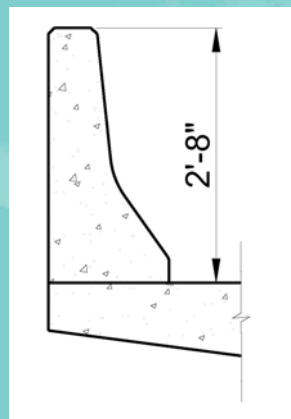




# Gold Line I-210 Barrier Replacement – Existing and Proposed Barrier Configurations



On Ground

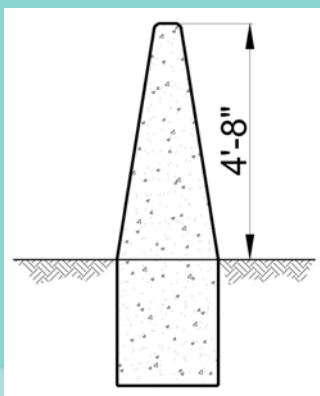


On Bridge

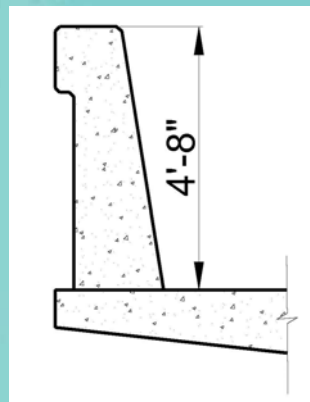


On Retaining Wall

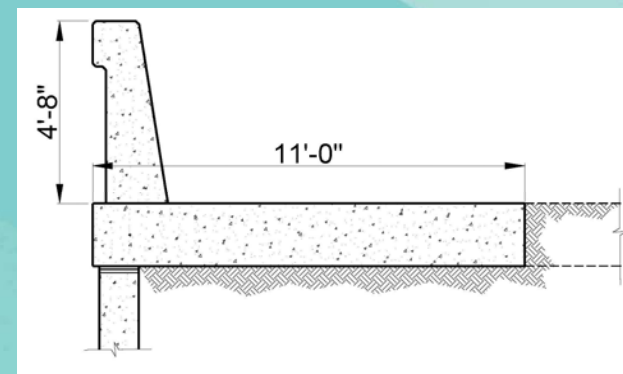
## Existing Barrier Configurations



On Ground



On Bridge



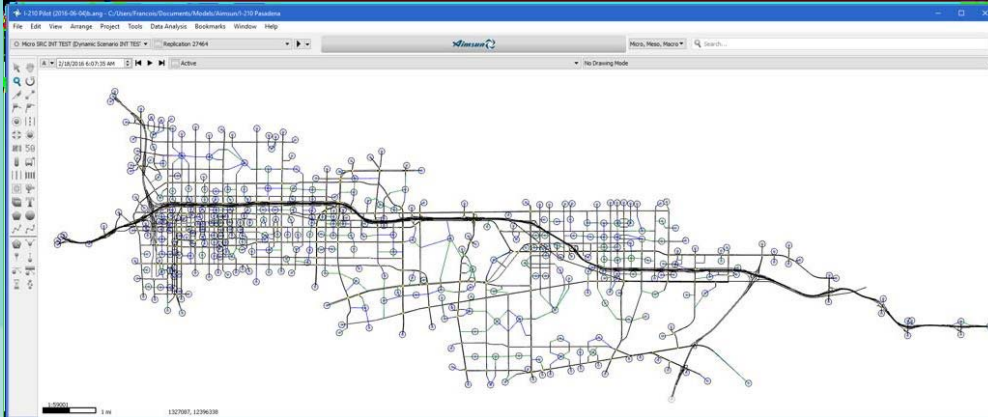
On Retaining Wall



Metro

## Proposed Barrier Configurations

# Gold Line I-210 Barrier Replacement – Addressing the Challenges



## Optimized Solutions:

- Extremely tight workspace causing HOV lane closure and single tracking for the construction of Project 2; complicating environmental clearance
- Complex traffic study underway to quantify traffic impacts to the freeway and city streets



Thank you

