

ATTACHMENT C - Location and Site Plan

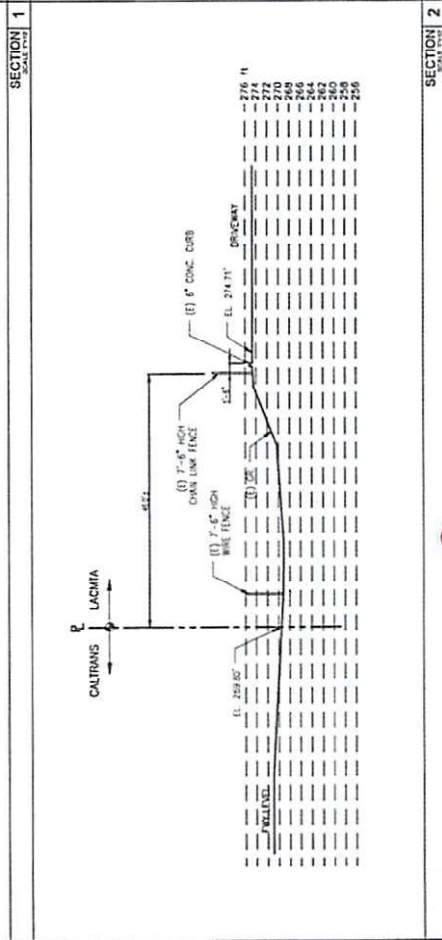
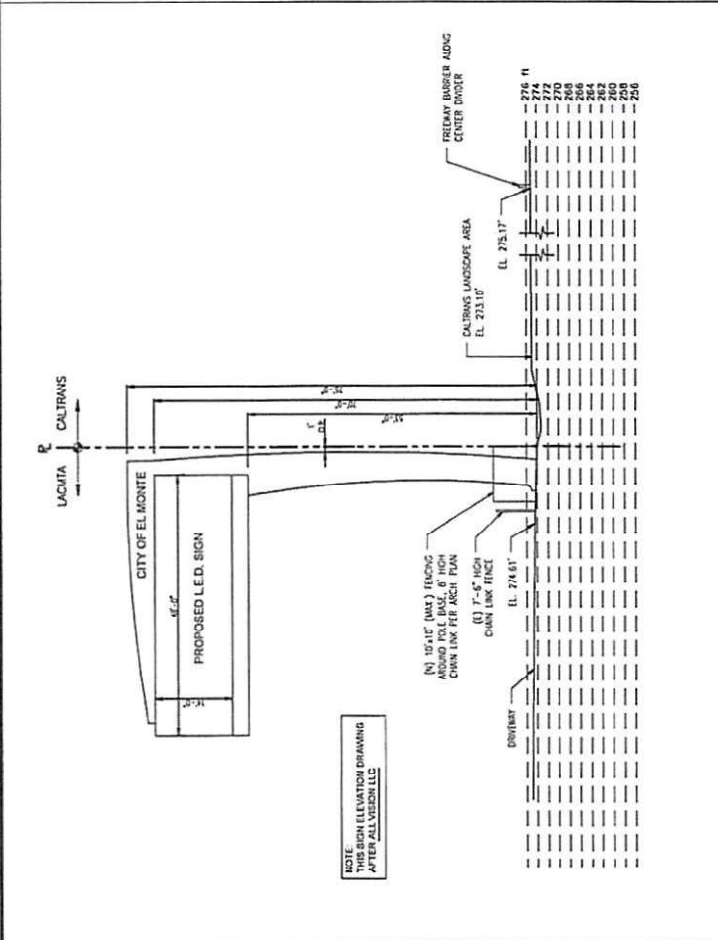
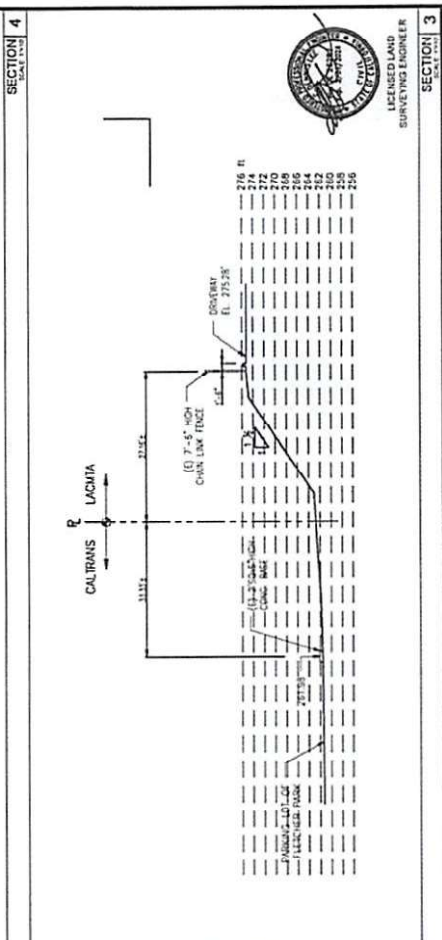
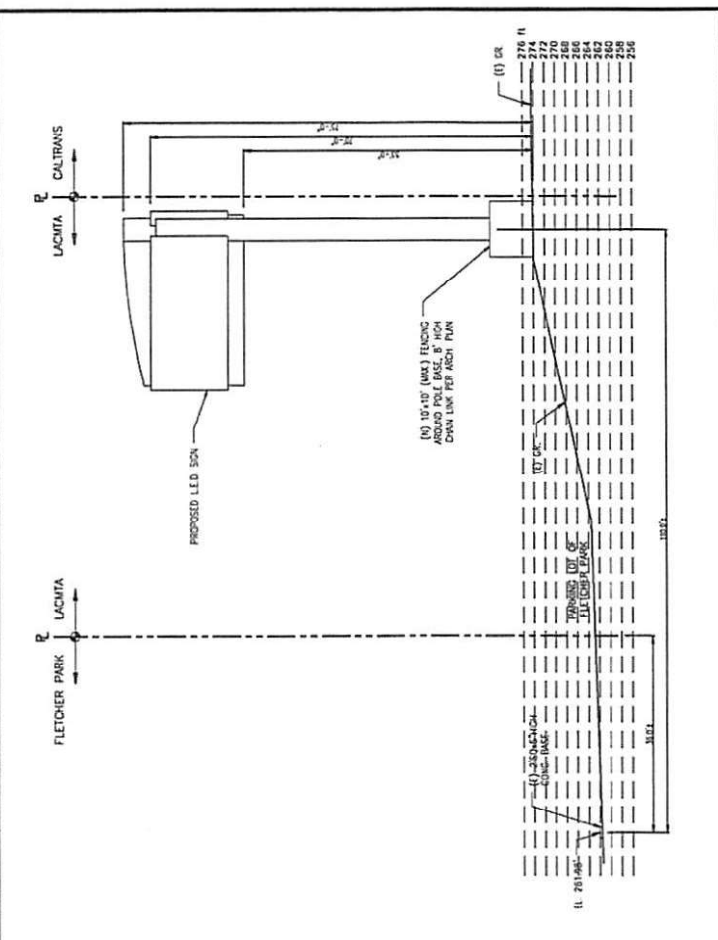
Board Location Division 9

Legend

- Board Location Division 9
- El Monte Transit Center
- Fletcher Fetch Park
- Metro Division 9



ATTACHMENT B1 AERIAL



SECTION 4 SCALE 1/8\"/>	SECTION 3 SCALE 1/8\"/>	SECTION 2 SCALE 1/8\"/>	SECTION 1 SCALE 1/8\"/>
<p>THESE DRAWINGS AS INSTRUMENT OF SERVICE ARE THE PROPERTY OF LEEDCO ENGINEERS, INC. AND SHALL NOT BE REPRODUCED WITHOUT THE CONSENT OF LEEDCO ENGINEERS, INC.</p>			
<p>LEEDCO ENGINEERS, INC. 5150 WILSON BOULEVARD, SUITE 100, WEST GARDEN CITY, CALIFORNIA 92683 TEL: 949.440.1100 FAX: 949.440.1101</p>			
<p>TITLE: NEW YORKER DIGITAL BOARDING TAP (CAL YED) OWNER: LOS ANGELES COUNTY METROPOLITAN TRANSPORT AUTHORITY (LAMTA) JOB ADDRESS: LACMIA SITE IN L. WORTH, CA 91731, APN 8576-000-908</p>			
<p>DESIGNED BY: C. D. LEE DATE: 03-01-2022 U.P.</p>			
<p>PROJECT NO: 8448</p>			
<p>2 of 2</p>			